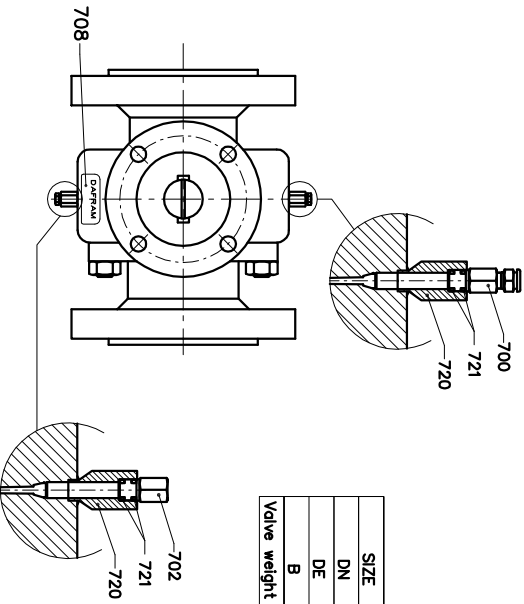


SIZE	4"
DN	100
DE	100
B	432
Valve weight kg~	147



DESIGN TEMP. :  
-10° C to +82° C

DESIGN, acc.to  
ASME B16.34 and API6D

PAINTING TO :  
V-9 cycle-1 RAL: White 9010  
Dafrom PRO 7.5H: PAG. 235



FIRE SAFE VALVES  
ACCORDING TO BS 6755 P.2  
or API 607 3th edition

STD PARTS	Pos.	PART NAMES	MATERIALS
	721	O-RING	VITON GLT AED
	720	EXTENSION	ASTM A350 gr. LF2
	708	IDENTIFICATION PLATE	STAINLESS STEEL
	703	STEM GREASE FITTING	ASTM A350 gr. LF2
	702	SEAT GREASE FITTING	ASTM A350 gr. LF2
	701	DRAIN PLUG	ASTM A350 gr. LF2
	700	BLEED VALVE	ASTM A350 gr. LF2
	613	LOWER STEM BUSH	CARBON STEEL + PTFE
	612	UPPER STEM BUSH	CARBON STEEL + PTFE
	606	STEM KEY	CARBON STEEL
	605	ANTISTATIC DEVICE	316 STAINLESS STEEL
	604	UPPER STEM SEAL	EXPANDED GRAPHITE
	602	STEM O-RING	VITON GLT AED
	601	LOWER STEM SEAL	VITON
	600	STEM	ASTM A29 4140+µm ENP
	505	COIL SPRINGS	INCOCEL X-750
	504	FIRE-SAFE SEAT SEAL	EXPANDED GRAPHITE
	502	SEAT O-RING	VITON GLT AED
	501	SEAT	NYLON
	500	SEAT RING	ASTM A350 gr. LF2+µm ENP
	400	BALL	ASTM A350 gr. LF2+µm ENP
	305	TRUNNION BUSH	CARBON STEEL + PTFE
	304	TRUNNION SCREWS	A2/70
	303	TRUNN. SECOND. GASKET	EXPANDED GRAPHITE
	301	TRUNN. PRIMARY GASKET	VITON GLT AED
	300	TOP FL. PIN	ASTM A29 4140+µm ENP
	205	TOP FL. SCREWS	CARBON STEEL
	204	TOP FL. SCREWS	A2/70
	203	TOP FL. SECOND. GASKET	EXPANDED GRAPHITE
	201	TOP FLANGE GASKET	VITON GLT AED
	200	TOP FLANGE	ASTM A350 gr. LF2
	106	NUTS	ASTM A194 gr. 7
	105	BOLTS	ASTM A320 gr. L7
	104	SECONDARY BODY GASKET	EXPANDED GRAPHITE
	102	PRIMARY BODY GASKET	VITON GLT AED
	101	BODY CONNECTOR	ASTM A350 gr. LF2
	100	VALVE BODY	ASTM A350 gr. LF2

Valve type	Size/DN	Class	End Type	Material
F6FS	4"/100	600/PN100	ASME B16.5 RF	LF2/LF2+ENP

Confirmation NR.	Customer	Your order

Pos.	Accessories:

**DAFRAM** S.p.A.  
 VALVOLE A SFERA  
 MILANO  
**DRAWING**  
 AB011616-1/3