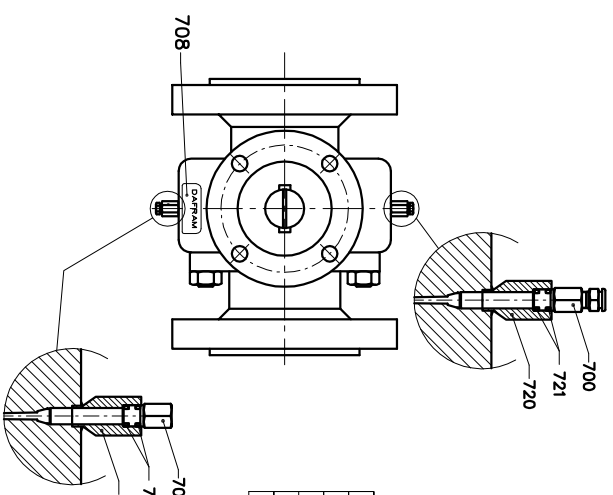


Pos.	STD PARTS	PART NAMES	MATERIALS
721	○	O-RING	VITON GLT AED
720	○	EXTENSION	ASTM A350 gr. LF2
706	○	IDENTIFICATION PLATE	STAINLESS STEEL
703	○	STEM GREASE FITTING	GALVANIZED CARBON STEEL
702	○	SEAT GREASE FITTING	ASTM A350 gr. LF2
701	○	DRAIN PLUG	ASTM A350 gr. LF2
700	○	BLEED VALVE 1/2"	ASTM A350 gr. LF2
613	○	LOWER STEM BUSH	CARBON STEEL + PTFE
612	○	UPPER STEM BUSH	CARBON STEEL + PTFE
606	○	STEM KEY	CARBON STEEL
605	○	ANTISTATIC DEVICE	316 STAINLESS STEEL
604	○	UPPER STEM SEAL	EXPANDED GRAPHITE
602	○	STEM O-RING	VITON GLT AED
601	○	LOWER STEM SEAL	NYLON
600	○	STEM	ASTM A29 4140+30μm ENP
505	○	COIL SPRINGS	INCONEL X-750
504	○	FIRE-SAFE SEAT SEAL	EXPANDED GRAPHITE
502	○	SEAT O-RING	VITON GLT AED
501	○	SEAT	NYLON
500	○	SEAT RING	ASTM A350 gr. LF2+30μm ENP
400	○	BALL	ASTM A350 gr. LF2+30μm ENP
305	○	TRUNNION BUSH	CARBON STEEL + PTFE
304	○	TRUNNION SCREWS	A2/70
303	○	TRUNN. SECOND. GASKET	EXPANDED GRAPHITE
301	○	TRUNN. PRIMARY GASKET	VITON GLT AED
300	○	TRUNNION	ASTM A29 4140+30μm ENP
205	○	TOP FL. PIN	CARBON STEEL
204	○	TOP FL. SCREWS	A2/70
203	○	TOP FL. SECOND. GASKET	EXPANDED GRAPHITE
201	○	TOP FLANGE GASKET	VITON GLT AED
200	○	TOP FLANGE	ASTM A350 gr. LF2
106	○	NUTS	ASTM A194 gr. 7
105	○	BOLTS	ASTM A320 gr. L7
104	○	SECONDARY BODY GASKET	EXPANDED GRAPHITE
102	○	PRIMARY BODY GASKET	VITON GLT AED
101	○	BODY CONNECTOR	ASTM A350 gr. LF2
100	○	VALVE BODY	ASTM A350 gr. LF2

SIZE	2"
DN	50
DE	49
B	292
Valve weight kg~	36



DESIGN TEMP. :  
-10° C to +82° C

DESIGN acc.to  
ASME B16.34 and API6D

PAINTING TO :  
V-9 cycle-1 RAL: White 9010  
Dafram PRO 7.5H: PAG. 235



DN>=32, MARKING:  
FIRE SAFE VALVES  
ACCORDING TO BS 6755 P.2  
or API 607 3th edition

Valve type	Size/DN	Class	End Type	Material
Fefs	2/50	600/PN100	ASME B16.5 RF	LF2/LF2+ENP
Confirmation NR.	Customer			Your order

Project Name : \_\_\_\_\_

Pos. \_\_\_\_\_

Accessories: \_\_\_\_\_

REV.	ISSUED BY	CHECKED BY	PASSED BY	DATE
2/50				

DAFRAM S.p.A.  
VALVOLE A SFERA  
MILANO

CONFIDENTIAL: Duplicating, copying or disclosure to third party a part or the whole of, or any information therein, without the written permission of the issuing office is strictly prohibited.

DRAWING DW\_CONF  
AB011622-1/5