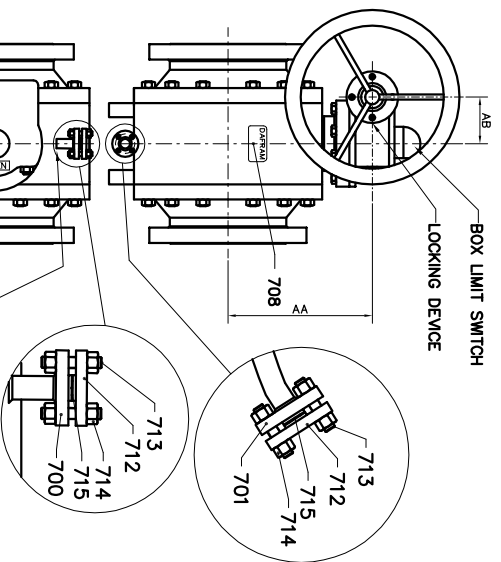
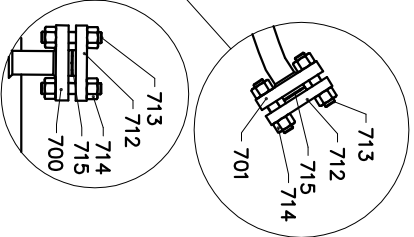


THREADED AND SEAL WELDED

BOX LIMIT SWITCH
LOCKING DEVICE



THREADED AND SEAL WELDED



| SIZE | 24" |
|------------------|------|
| DN | 600 |
| DE | 589 |
| B | 1397 |
| Valve weight kg~ | 4400 |

| SIZE | 24" |
|-----------------|-----|
| AA~ | 746 |
| AB~ | 292 |
| AC~ | 747 |
| AD~ | 700 |
| Gear weight kg~ | 293 |

DESIGN TEMP. :
-10° C to +82° C

DESIGN acc.to
ASME B16.34 and API6D

PAINTING TO :
V-9 cycle-1 RAL: White 9010
Dafram PRO 7.5H: PAG. 235

DN~32, MARKING:



FIRE SAFE VALVES
ACCORDING TO BS 6755 P.2
or API 607 5th edition

| STD PARTS | Pos. | PART NAMES | MATERIALS |
|-----------|------|----------------------------|---------------------------------------|
| | 721 | O-RING | VITON GLT AED |
| | 720 | EXTENSION | ASTM A350 gr. LF2 |
| | 715 | SPIRAL WOUND GASKET | 316 STAINLESS STEEL-EXPANDED GRAPHITE |
| | 714 | NUTS | ASTM A194 gr. 7 |
| | 713 | BOLTS | ASTM A320 gr. L7 |
| | 712 | BLIND FLANGE | ASTM A350 gr. LF2 |
| | 708 | IDENTIFICATION PLATE | STAINLESS STEEL |
| | 706 | EYE BOLT | GALVANIZED CARBON STEEL |
| | 705 | VALVE SUPPORT | CARBON STEEL |
| | 703 | STEM GREASE FITTING | ASTM A350 gr. LF2 |
| | 702 | SEAT GREASE FITTING | ASTM A350 gr. LF2 |
| | 701A | NIPPLE 1" NPT | ASTM A350 gr. LF2 |
| | 701 | DRAIN FLANGE | ASTM A350 gr. LF2 |
| | 700 | BLEED FLANGE | ASTM A350 gr. LF2 |
| | 606 | STEM KEY | CARBON STEEL |
| | 605 | ANTISTATIC DEVICE | 316 STAINLESS STEEL |
| | 604 | UPPER STEM SEAL | EXPANDED GRAPHITE |
| | 602 | STEM O-RING | VITON GLT AED |
| | 601 | LOWER STEM SEAL | NYLON |
| | 600 | STEM | ASTM A29 4140+30µm ENP |
| | 505 | COIL SPRINGS | INCONEL X-750 |
| | 504 | FIRE-SAFE SEAT SEAL | EXPANDED GRAPHITE |
| | 502 | SEAT O-RING | VITON GLT AED |
| | 501 | SEAT | NYLON |
| | 500 | SEAT RING | ASTM A350 gr. LF2+30µm ENP |
| | 404 | BALL ANTI-FRICTION BEARING | PTFE |
| | 403 | BEARING RETAINER PIN | 316 STAINLESS STEEL |
| | 402 | BEARING RETAINER | ASTM A350 gr. LF2 |
| | 401 | BALL BEARING | CARBON STEEL + PTFE |
| | 400 | BALL | ASTM A350 gr. LF2+30µm ENP |
| | 207 | ADAPTER FLANGE SCREWS | A2/70 |
| | 206 | ADAPTER FLANGE | ASTM A350 gr. LF2 |
| | 205 | TOP FL. PIN | CARBON STEEL |
| | 204 | TOP FL. SCREWS | A2/70 |
| | 203 | TOP FL. SECOND. GASKET | EXPANDED GRAPHITE |
| | 201 | TOP FL. PRIM. GASKET | VITON GLT AED |
| | 200 | TOP FLANGE | ASTM A350 gr. LF2 |
| | 106 | NUTS | ASTM A194 gr. 7 |
| | 105 | BOLTS | ASTM A320 gr. L7 |
| | 104 | SECONDARY BODY GASKET | EXPANDED GRAPHITE |
| | 102 | PRIMARY BODY GASKET | VITON GLT AED |
| | 101 | BODY CONNECTOR | ASTM A350 gr. LF2 |
| | 100 | VALVE BODY | ASTM A350 gr. LF2 |

| | | | | |
|---|--------------|------------|---------------|-------------|
| Valve type | Size/DN | Class | End Type | Material |
| F8FP | 24"/600 | 600/PN100 | ASME B16.5 RF | LF2/LF2+ENP |
| Confirmation NR. | Customer | | Your order | |
| Project Name : | Accessories: | | | |
| Pos. | | | | |
| REV. | ISSUED BY | CHECKED BY | PASSED BY | DATE |
| | | | | |
| DAFRAM S.p.A. VALVOLE A SFERA MILANO | | | | |
| CONFIDENTIAL : Duplicating, copying or disclosure to third party a part or derived from this drawing must have DAFRAM's written permission. | | | | |
| Code Delta: — DW_CONF | | | | |
| DRAWING AB011615 | | | | |